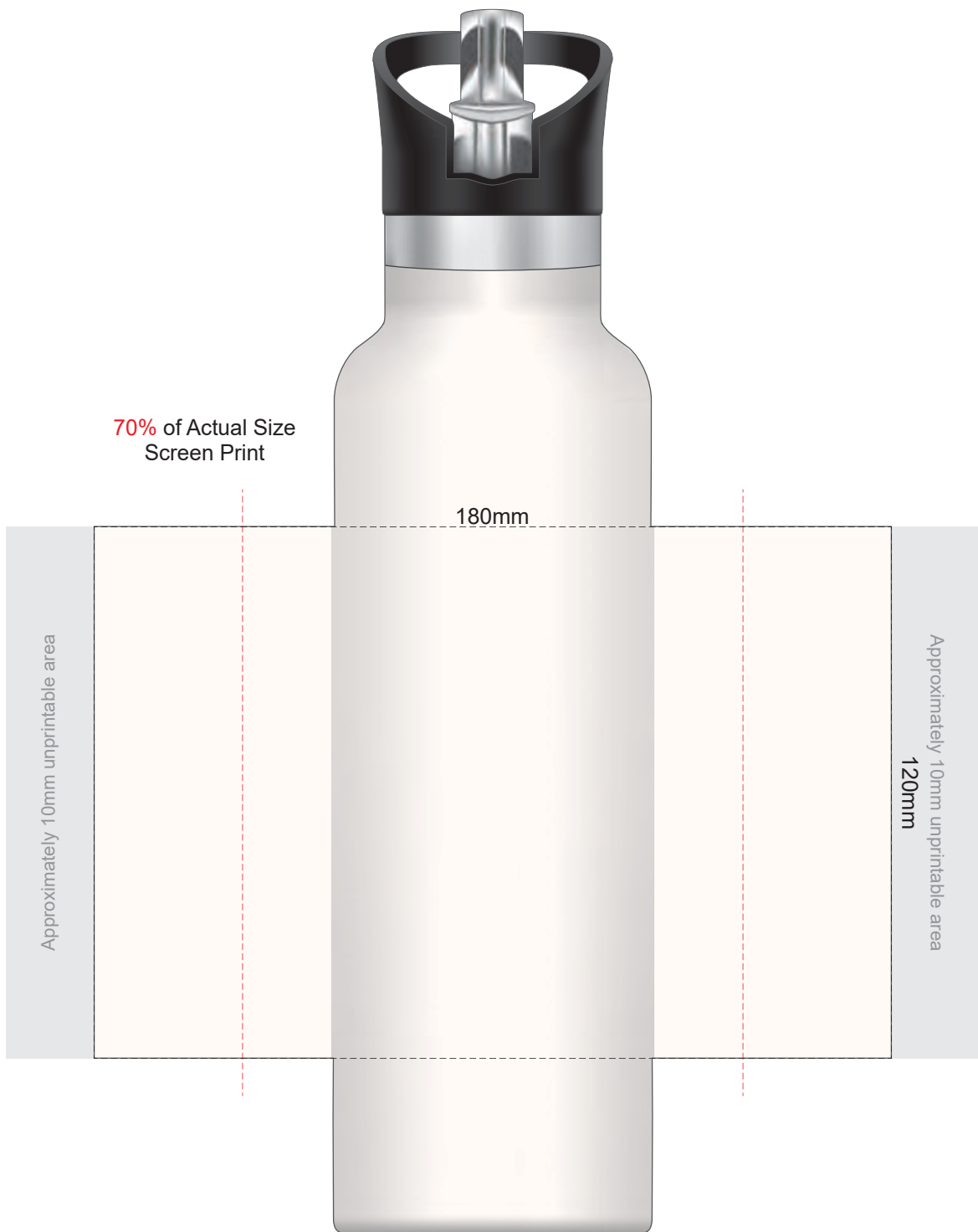


Ecu
Grey
Yellow
Mustard
Orange
Rust
Pale Pink
Pink
Red
Burgundy
Sage
Olive
Bright Green
Dark Green
Teal
Light Blue
Pale Blue
Petrol Blue
Royal Blue
Navy
Mauve
Purple



70% of Actual Size
Screen Print

180mm

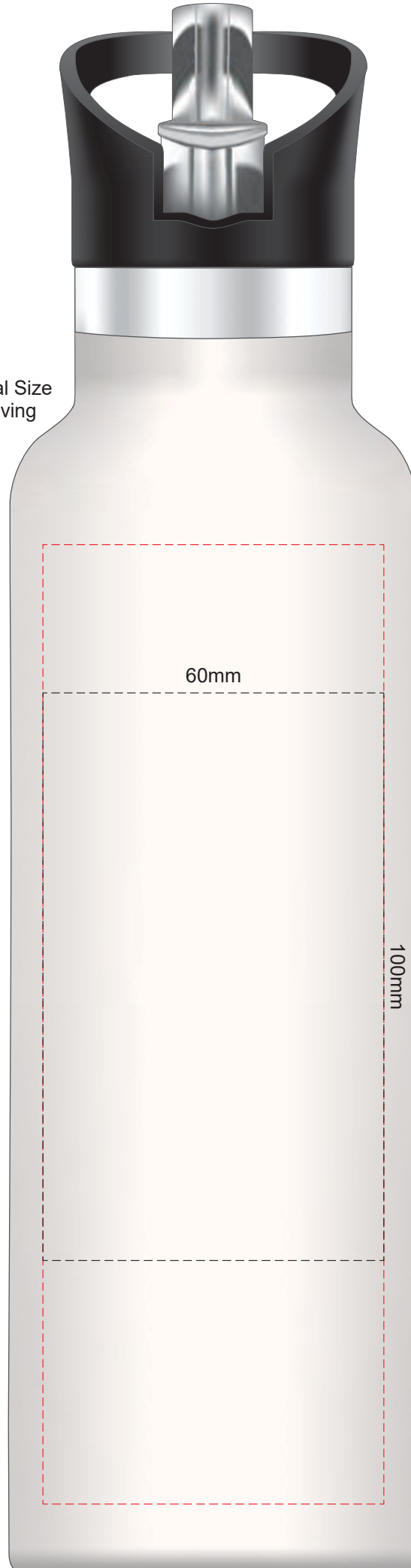
Approximately 10mm unprintable area

Approximately 10mm unprintable area
120mm

Red Line = Exact opposites of the product
(centre artwork to the red line)

Please note: As the printing process is done with the removal of the lid, exact alignment to the lid can't be guaranteed, and there will be variations in logo positioning between items

100% of Actual Size
Laser Engraving



- Ecru
- Grey
- Yellow
- Mustard
- Orange
- Rust
- Pale Pink
- Pink
- Red
- Burgundy
- Sage
- Olive
- Bright Green
- Dark Green
- Teal
- Light Blue
- Pale Blue
- Petrol Blue
- Royal Blue
- Navy
- Mauve
- Purple

Branding area can be moved **anywhere within the red line.**

Please note: As the printing process is done with the removal of the lid, exact alignment to the lid can't be guaranteed, and there will be variations in logo positioning between items

 Engraves to a Shiny Steel Finish



70% of Actual Size
 Rotary Digital
 (Gloss Finish)

224mm

Approximately 2.5mm unprintable area

Approximately 2.5mm unprintable area
 163mm

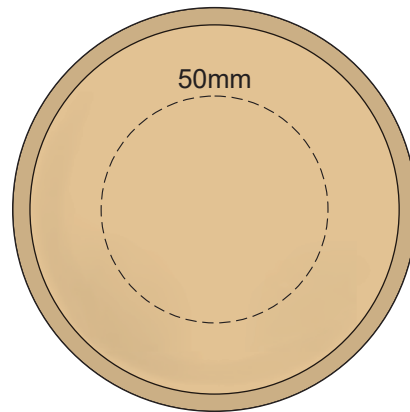
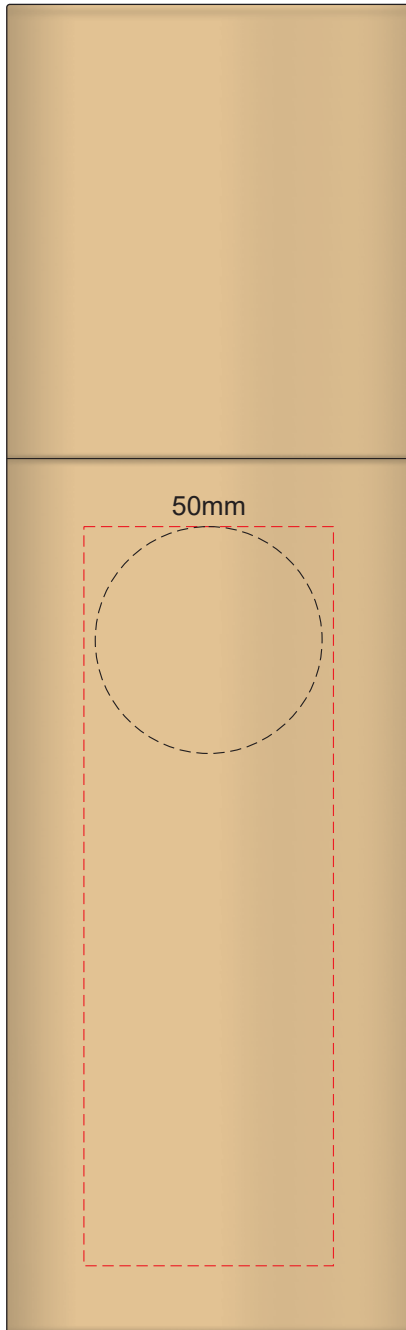
Red Line = Exact opposites of the product
 (centre artwork to the red line)

Please note: As the printing process is done with the removal of the lid, exact alignment to the lid can't be guaranteed, and there will be variations in logo positioning between items

Ecu
Grey
Yellow
Mustard
Orange
Rust
Pale Pink
Pink
Red
Burgundy
Sage
Olive
Bright Green
Dark Green
Teal
Light Blue
Pale Blue
Petrol Blue
Royal Blue
Navy
Mauve
Purple
Black

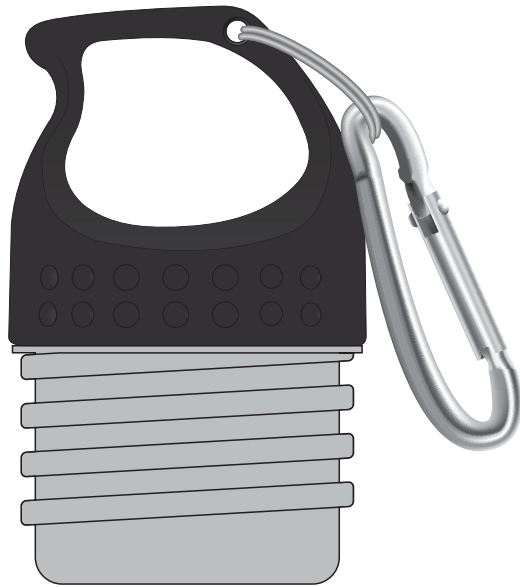


60% of Actual Size
Pad Print (one colour)

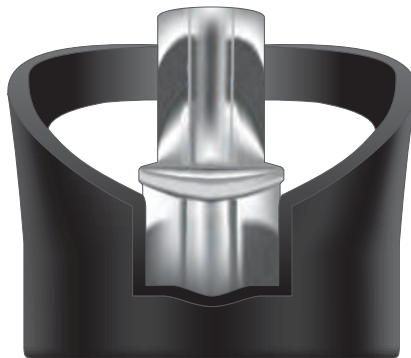


Branding area can be moved anywhere within the red line.

CARABINER LID



FLIP VALVE LID



SIPPER LID

