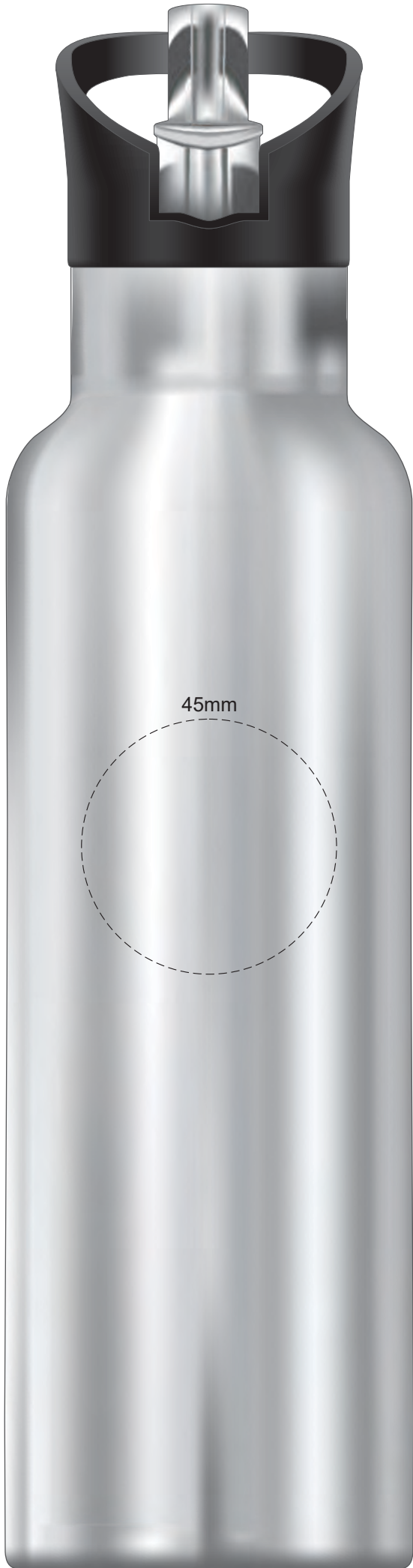
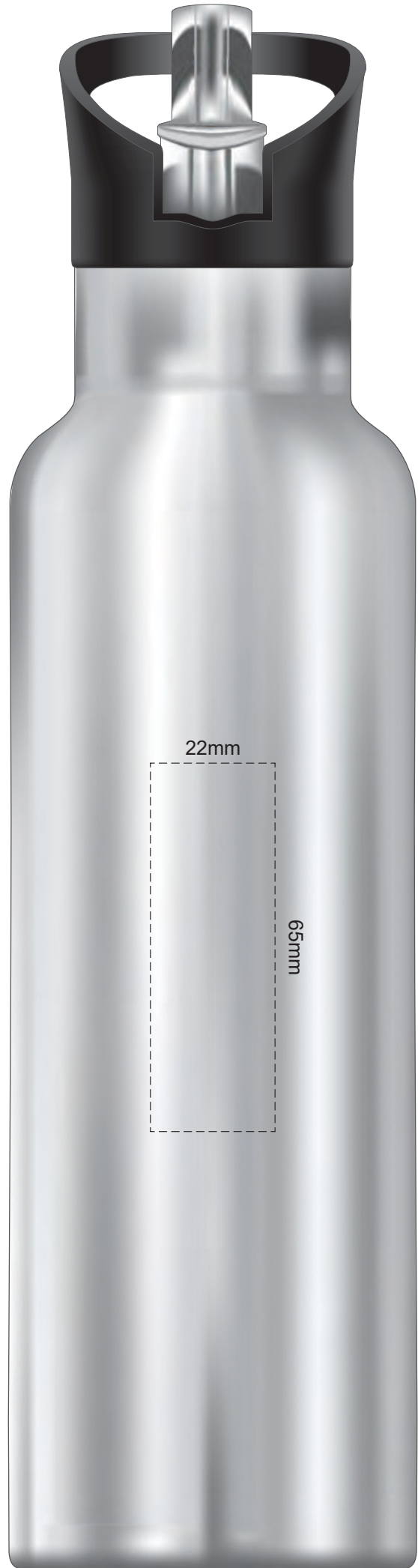


100% of Actual Size  
Pad Print



100% of Actual Size  
Pad Print





70% of Actual Size  
Screen Print

180mm

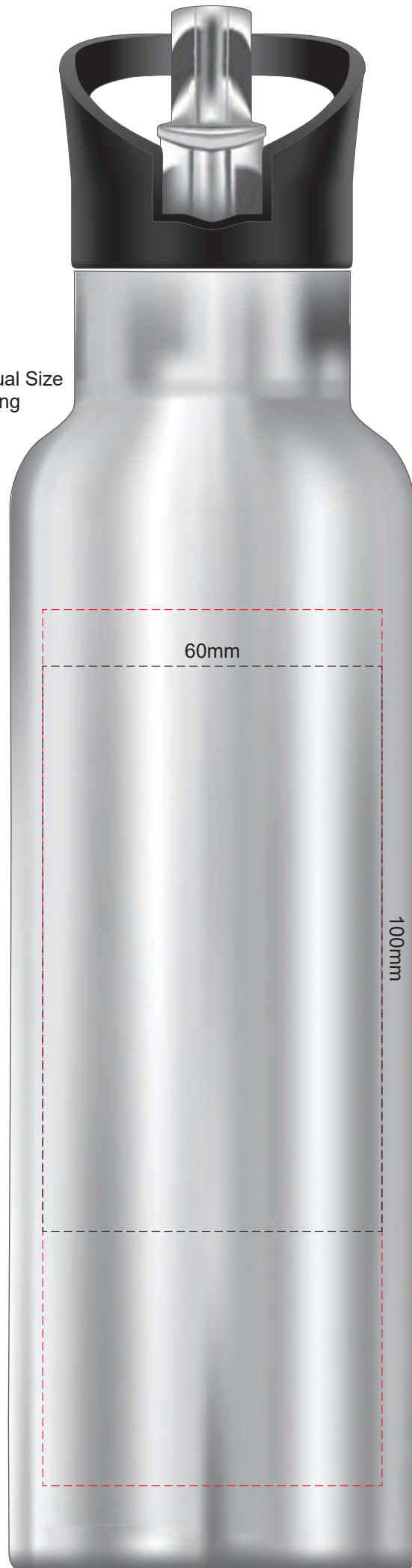
Approximately 20mm unprintable area

Approximately 20mm unprintable area  
120mm

Red Line = Exact opposites of the product  
(centre artwork to the red line)

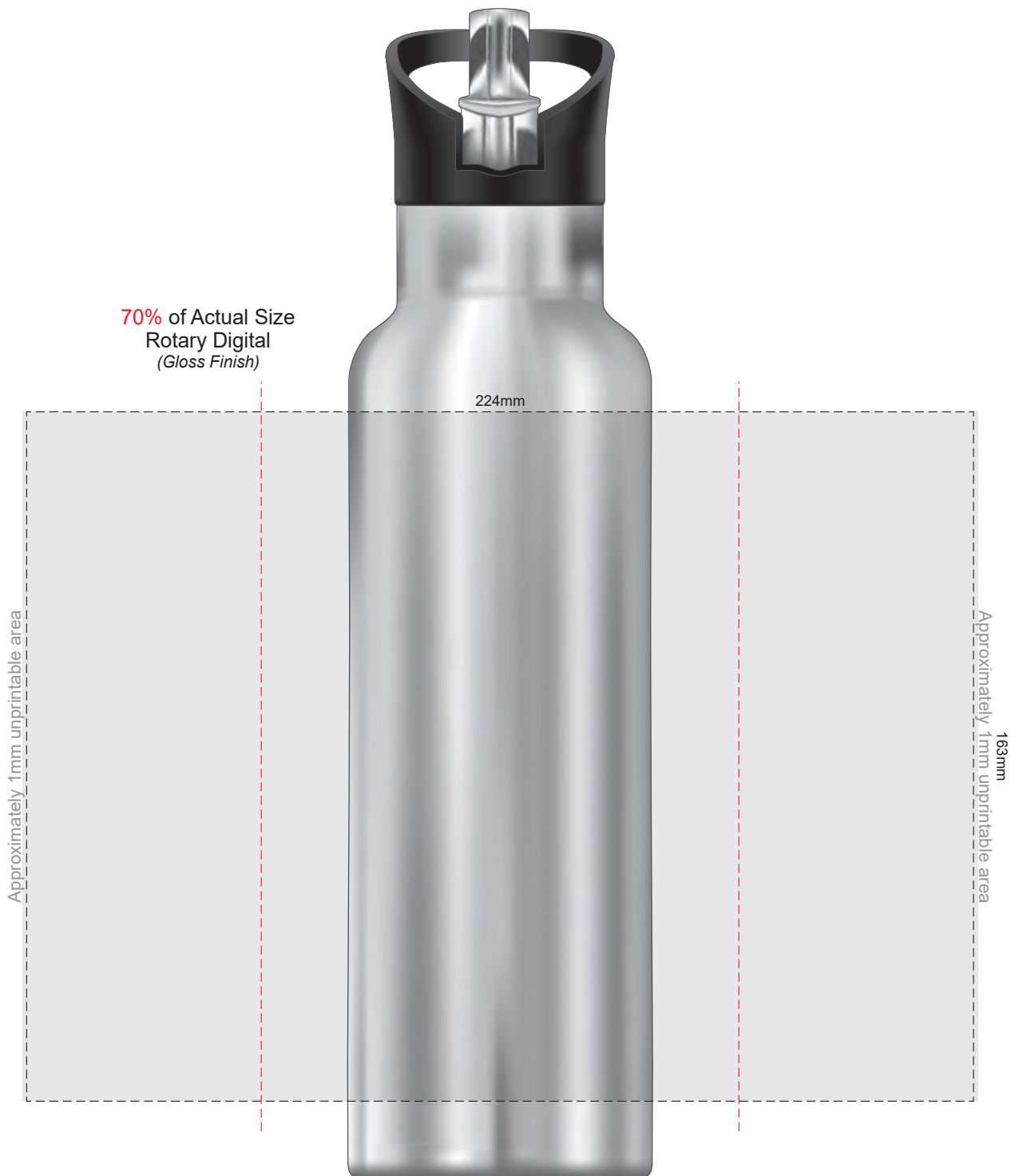
**Please note:** As the printing process is done with the removal of the lid,  
exact alignment to the lid can't be guaranteed,  
and there will be variations in logo positioning between items

100% of Actual Size  
Engraving



Branding area can be moved **anywhere within the red line**.  
**Please note:** As the printing process is done with the removal of the lid,  
exact alignment to the lid can't be guaranteed,  
and there will be variations in logo positioning between items

Engraves to a Natural Etch



70% of Actual Size  
Rotary Digital  
(Gloss Finish)

224mm

Approximately 1mm unprintable area

Approximately 1mm unprintable area

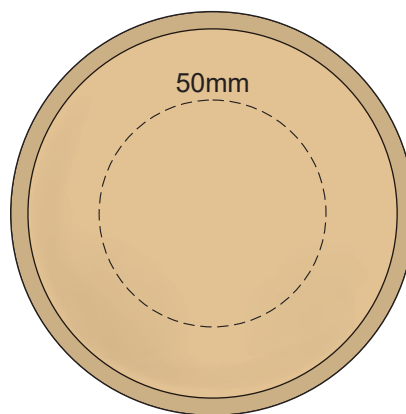
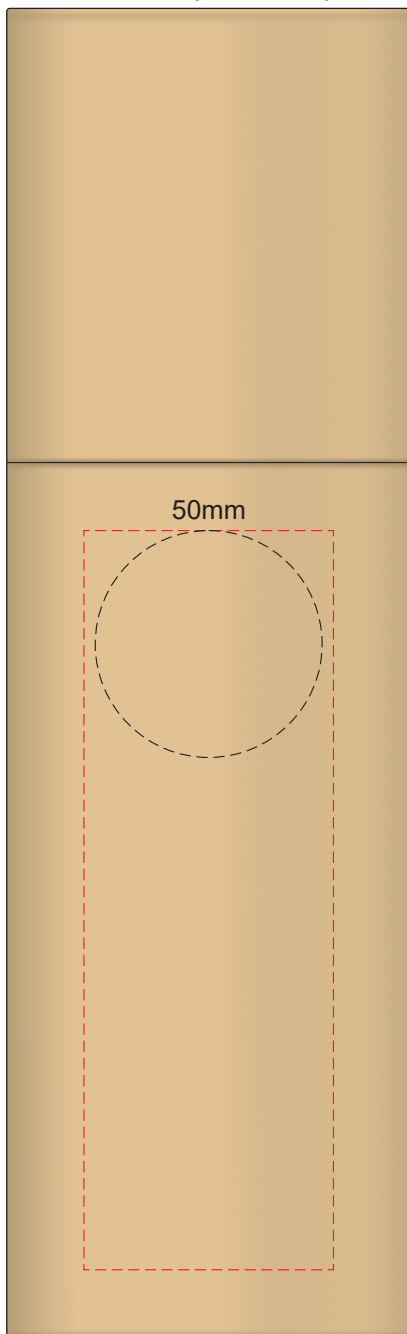
163mm

Red Line = Exact opposites of the product  
(centre artwork to the red line)

Please note: As the printing process is done with the removal of the lid, exact alignment to the lid can't be guaranteed, and there will be variations in logo positioning between items

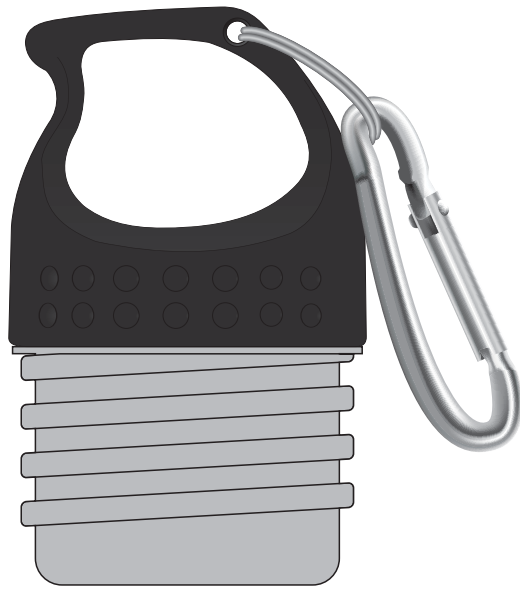


60% of Actual Size  
Pad Print (one colour)



Branding area can be moved anywhere within the red line.

**CARABINER LID**



**FLIP VALVE LID**



**SIPPER LID**

